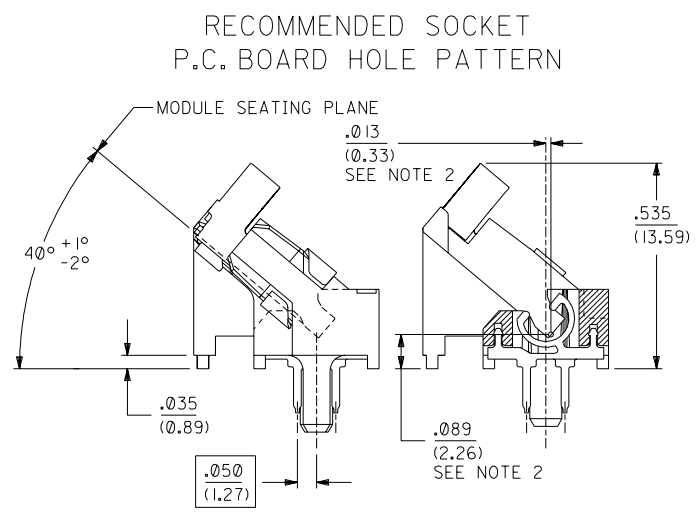
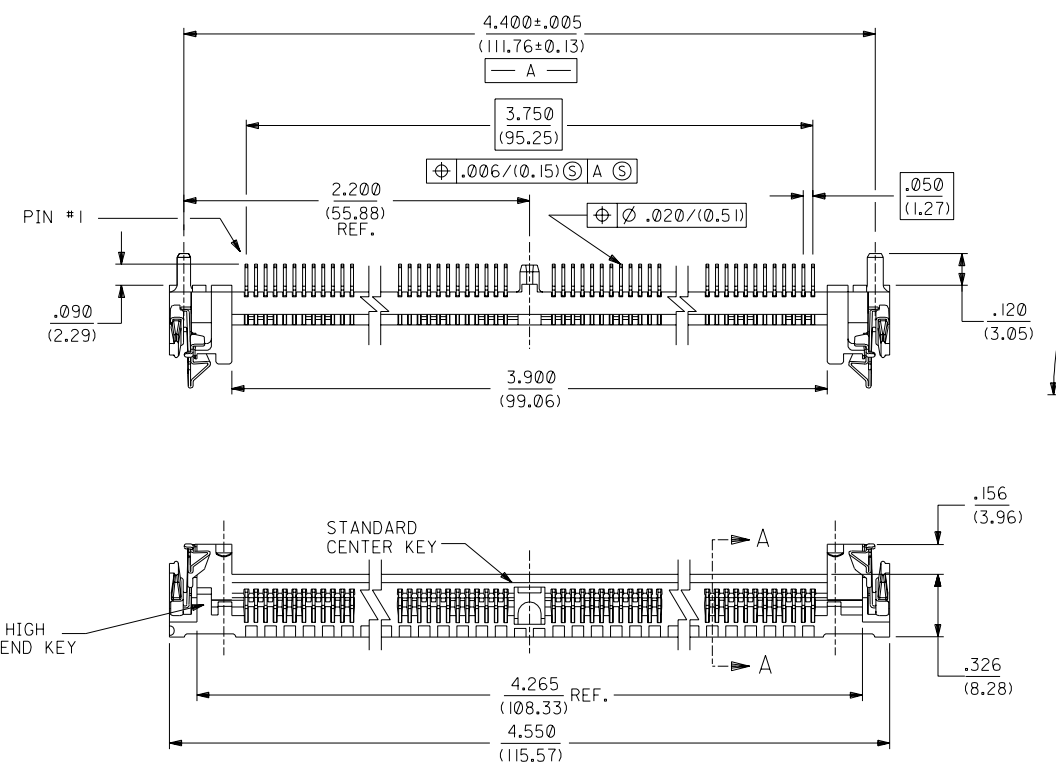
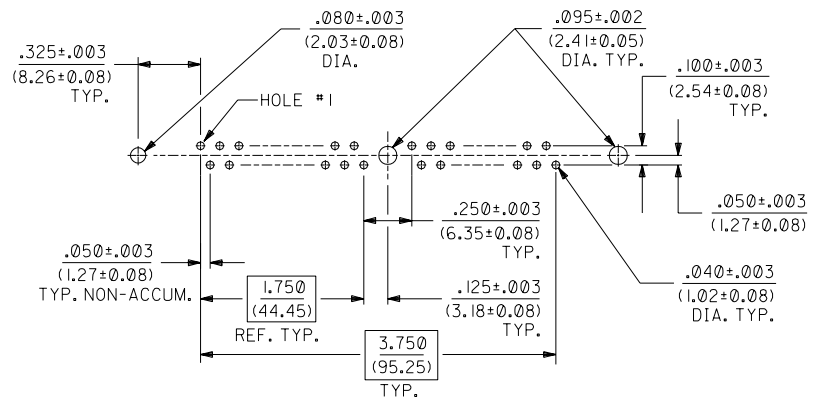


- NOTES:**
- CARD SLOT ACCEPTS P.C. BOARDS  $.050 +.004/-0.003$  THICK, MEASURED OVER CONTACT PADS. (1.27 ± 0.10 / - 0.08)
  - LOCATION OF LOWER CORNER OF MODULE BOARD.
  - PRODUCT SPEC PS-78954 APPLIES.
  - CENTER PEG IS AN INTERFERENCE FIT TO RECOMMENDED P.C. BOARD HOLE.

**MATERIALS:**  
 HOUSING: LCP, GLASS FILLED, 94V-0. COLOR: BLACK.  
 LATCH: STAINLESS STEEL.  
 TERMINAL: PHOSPHOR BRONZE, POST PLATED  
 30 μm / (1.076 μm) MINIMUM GOLD IN CONTACT AREA AND  
 150 μm / (3.81 μm) MINIMUM TIN IN TAIL AREA OVER  
 75 μm / (1.91 μm) MINIMUM NICKEL OVERALL.

THE PRIMARY SHIPPING CARTON WILL BE LABELED "COMPLIANT TO ROHS DIRECTIVE 2002/95/EC AND ELV ANNEX II OF DIRECTIVE 2000/53/EC". CARTONS WITHOUT THIS LABEL MAY CONTAIN PRODUCT WITH LEAD.



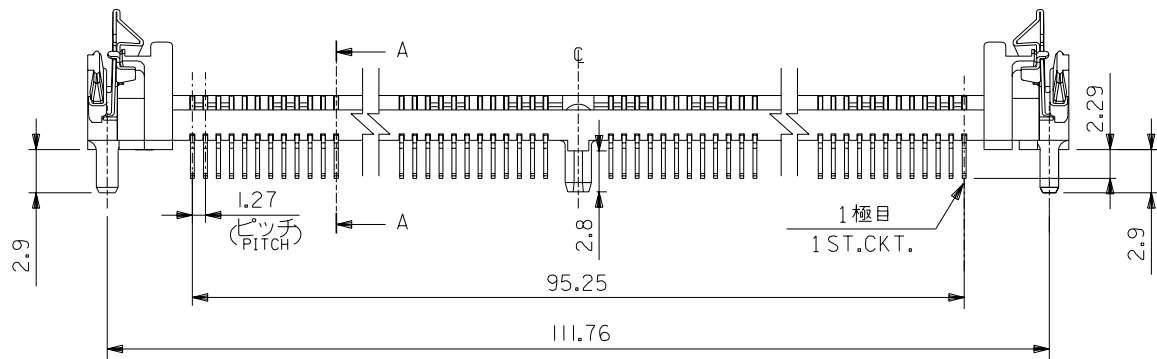
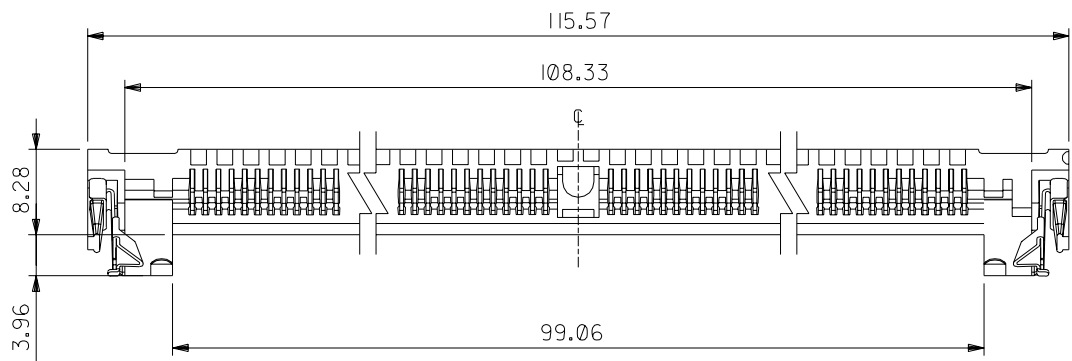
**END VIEW** SCALE 4:1  
**SECTION A-A** SCALE 4:1

K	LEAD FREE UCP 2004 1582 RWHITE 04/03/03
J	REVISED PER ECN # U51393 CMY 7-25-95
II	CORRECTED TEXT PER ECN # U50199 MJS 10-6-94
I	.050 BASIC TAIL DIM. PER ECN # U30092 PDB 01-21-93
H	.010 BLOCK TOL WAS .050 PER ECN # U21290 PDB 08-27-92
G	REMOVE TRACKING TOES PER ECN # U20978 PDB 06-29-92
F	REVISED GEOMETRY PER ECN # U20157 PDB 02-10-92
E	CORRECT HOLE PATTERN PER ECN # U11932 PDB 09-25-91
D	REVISED SALES MASTER PER ECN # U1129 PDB 06-26-91
C	REVISED PER ECN # U00860 PDB 11-06-90
B	REVISED PER ECN # U00635 PDB 08-20-90
A	RELEASE TO MFG. PER ERO # 30214 PDB 07-30-90

DIMENSIONS SHOWN (METRIC) INCH		▽ = 0		▽ = 0		REVISE ONLY ON CAD SYSTEM	
UNLESS OTHERWISE SPECIFIED TOLERANCES: ANGULAR ± 1/2°		TITLE		SALES ASSY. 72 CIRCUIT 40° METAL LATCH HIGH KEY SINGLE ROW SIMM SOCKET		SHEET NO. DATE	
DRAFT WHERE APPLICABLE MUST REMAIN WITHIN DIMENSIONS		PART NO.		15-82-0627		1 OF 1 07/30/90	
DRWG. PDB		CHK'D. BY		FILE NAME		DIV.	
BY		SCALE		57897605		DA	
		2: 1		MOLX INC. AND SHOULD NOT BE USED WITHOUT WRITTEN PERMISSION		SIZE	

DWG. NO.  
SDA-78976-7232

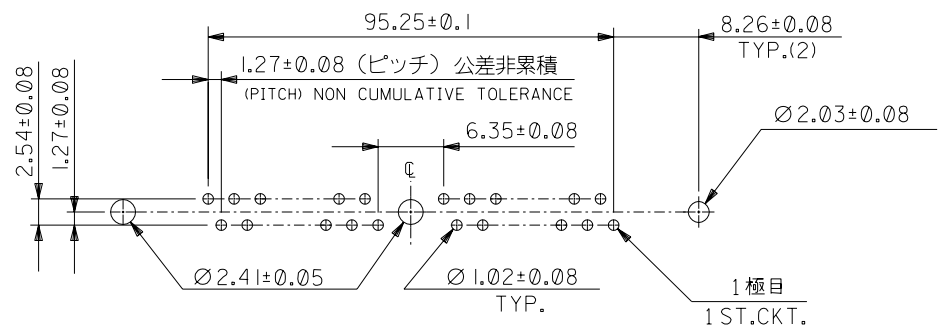
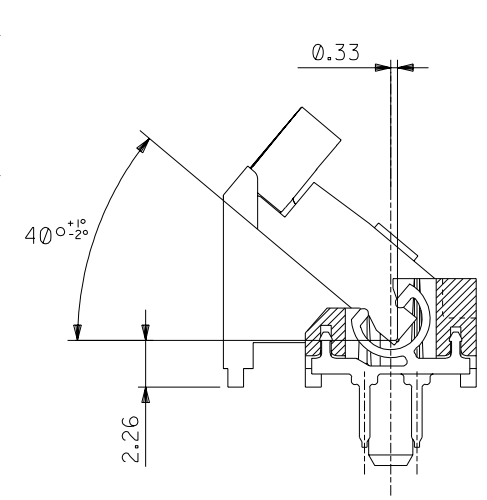
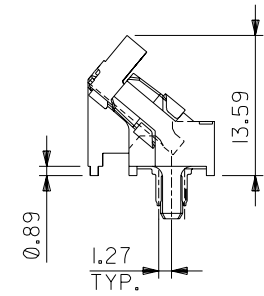
ALL DIMENSIONS IN METRIC DO NOT SCALE DRAWING



注記 NOTES.

1. 材料 MATERIAL  
 1-1 ハウジング: ガラス入り耐熱樹脂 色:黒 UL94V-0  
 HOUSING : G.F. HEAT RESISTANT PLASTIC  
 COLOR:BLACK UL94V-0  
 1-2 ターミナル: 燐青銅  
 TERMINAL : PHOSPHOR BRONZE  
 1-3 ラッチ : パネ用ステンレス鋼  
 LATCH : STAINLESS SPRING STEEL

2. メッキ仕様 (ターミナル)  
 PLATING (TERMINAL)  
 接点部 : 金メッキ 0.76μm MIN.  
 CONTACT AREA:GOLD 0.76 MICROMETER MINIMUM  
 半田付け部: 錫メッキ 3.81μm MIN.  
 SOLDER TAIL AREA:TIN 3.81 MICROMETER MINIMUM  
 下地メッキ: ニッケルメッキ 1.91μm MIN.  
 UNDER-PLATING:NICKEL 1.91 MICROMETER MINIMUM



基板取付穴推奨寸法  
RECOMMENDED PCB LAYOUT  
部品実装側  
(VIEW ON COMPONENT SIDE)

角度 ANGLE	±3°
30°以上 OVER	+0.3
10°以上 30° UNDER	+0.25
未滿 10° UNDER	+0.2
一般公差 GENERAL TOLERANCES	

記号 LTR	変更内容 REVISION RECORD	DR. CHK.	日付 DATE
0	新規作成 (T30578)	S.M.S.	93/11/25
A	変更 (J2004-4492)	S.M.S.	04/05/31

材料 MATERIAL	注記参照 SEE NOTES
仕上げ FINISH	注記参照 SEE NOTES
適用電線範囲 WIRE RANGE	—
被覆外径 INS. RANGE	—
DRAWN BY	CHK'D BY
APP'D BY	尺度 SCALE 2-1

78976-7232	72
MATERIAL NO. 製品番号	CIRCUIT 極数
molex MOLEX-JAPAN CO.,LTD. 日本モレックス株式会社	
REVISE ONLY ON CAD SYSTEM	
TITLE 名称 40 DEG. SIMM SOCKET 72 CIRCUIT W/METAL LATCH -LEAD FREE-	
DWG. NO. SDA-78976-7232	REV A